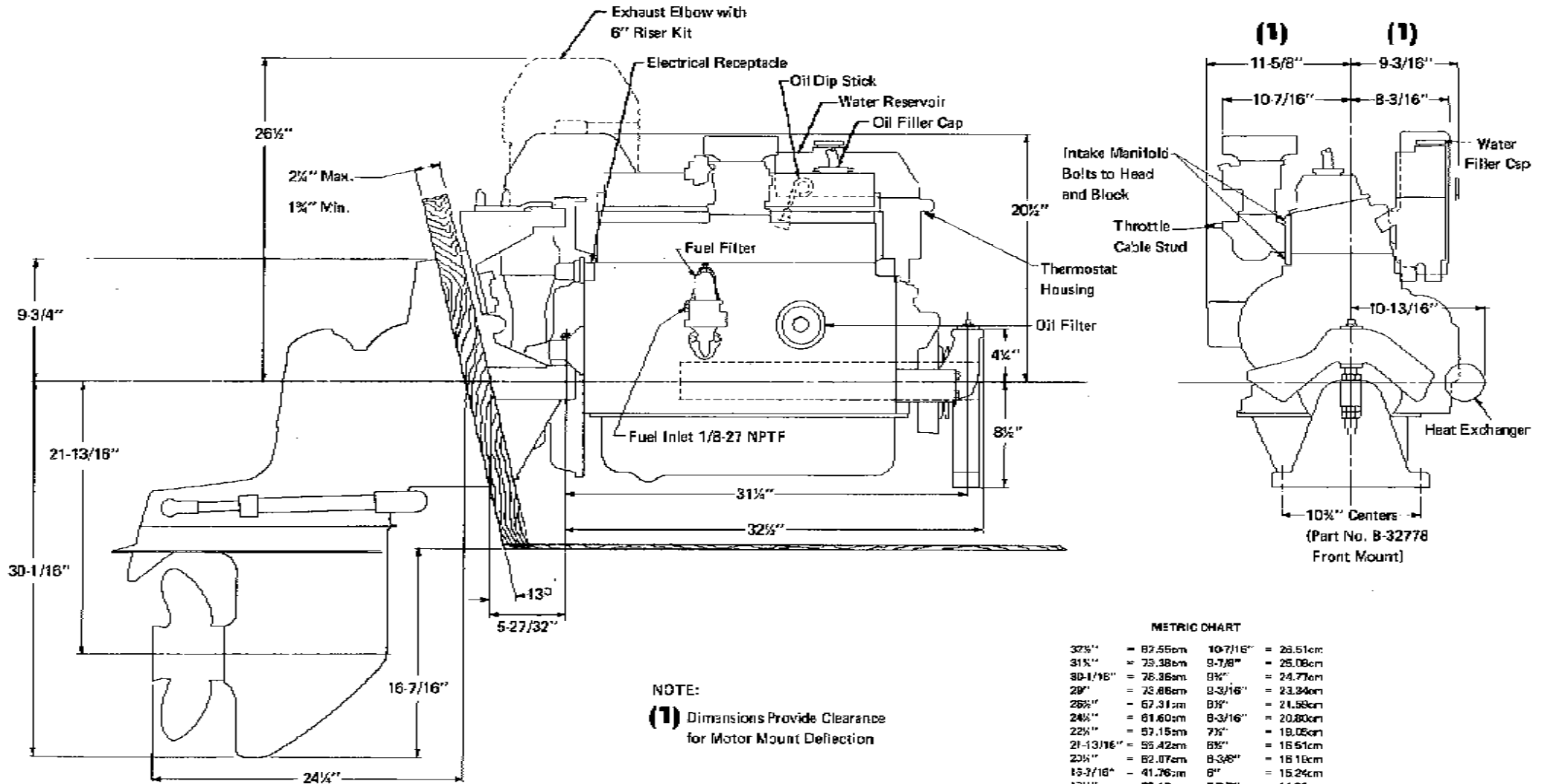


MERCURISER

"470" (1976)

STERN DRIVE POWER PACKAGE



NOTE:
(1) Dimensions Provide Clearance for Motor Mount Deflection

METRIC CHART

32 1/2"	= 82.55cm	10-7/16"	= 26.51cm
31 1/4"	= 79.38cm	9-7/8"	= 25.06cm
30-1/16"	= 76.36cm	9 1/2"	= 24.13cm
28"	= 71.12cm	8-3/16"	= 23.34cm
26 1/2"	= 67.31cm	8 1/8"	= 21.58cm
24 1/2"	= 61.60cm	8-3/16"	= 20.80cm
22 1/2"	= 57.15cm	7 1/2"	= 19.05cm
21-13/16"	= 55.42cm	6 3/4"	= 16.51cm
20 1/2"	= 52.07cm	6-3/8"	= 16.16cm
19-7/16"	= 49.76cm	6"	= 15.24cm
18 1/2"	= 46.99cm	5-7/8"	= 14.82cm
15-3/8"	= 39.05cm	5-27/32"	= 14.84cm
11-5/8"	= 29.53cm	4 1/2"	= 11.43cm
10-13/16"	= 27.46cm	2 1/2"	= 63.50mm
10 1/8"	= 27.31cm	1 1/2"	= 38.10mm

Scale Approx. 8:1

(OVER)

MERCRUISER "470" (1976) STERN DRIVE POWER PACKAGE

(Continued)

