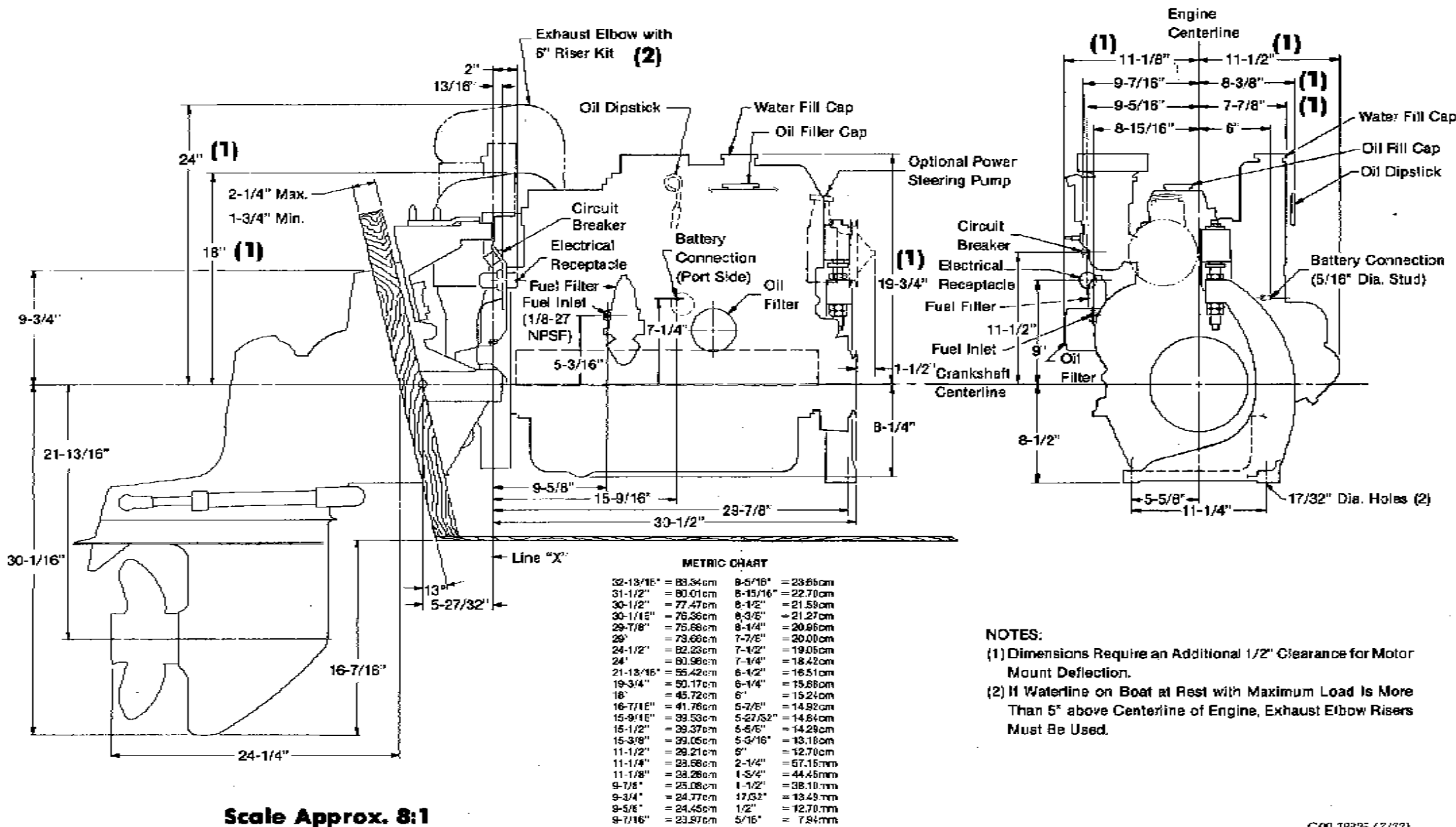




merCruiser "470" (1978) STERN DRIVE POWER PACKAGE



Scale Approx. 8:1

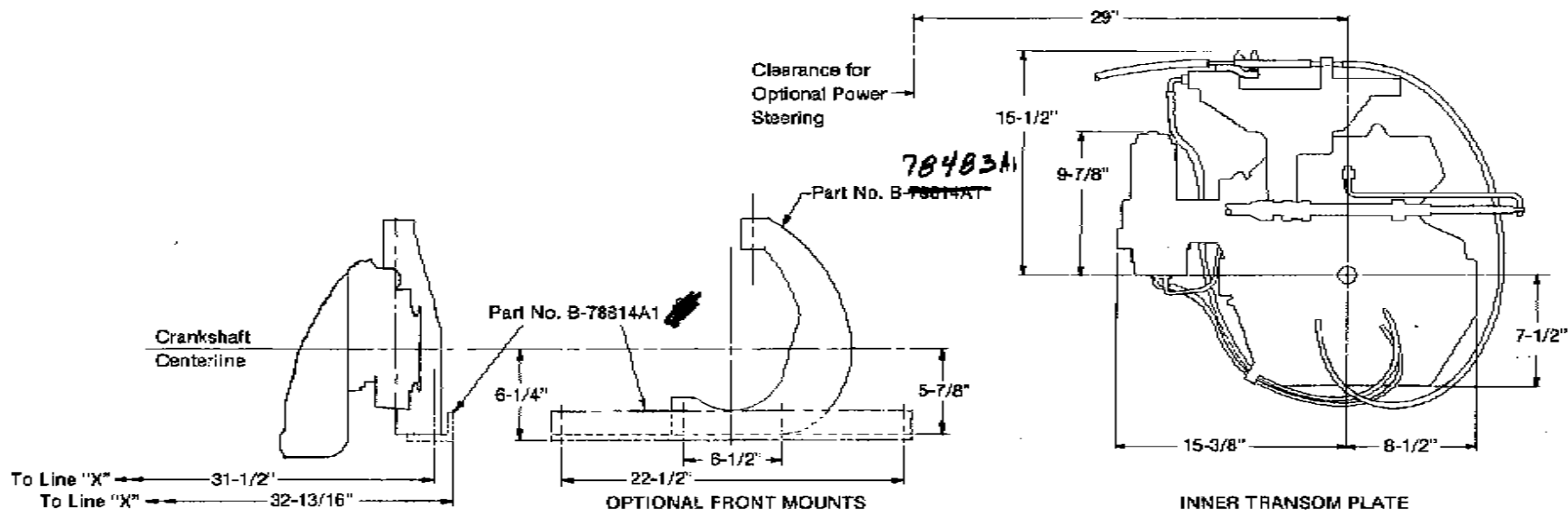
NOTES:

- (1) Dimensions Require an Additional 1/2" Clearance for Motor Mount Deflection.
- (2) If Waterline on Boat at Rest with Maximum Load is More Than 5" above Centerline of Engine, Exhaust Elbow Risers Must Be Used.

merCruiser "470" (1978)

STERN DRIVE POWER PACKAGE

(Continued)



* ~~Part No. B-78814A1~~