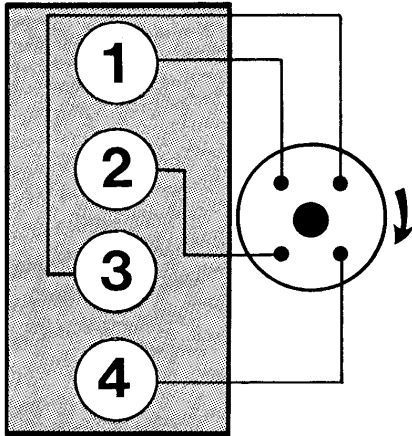


# Engine Rotation and Firing Order

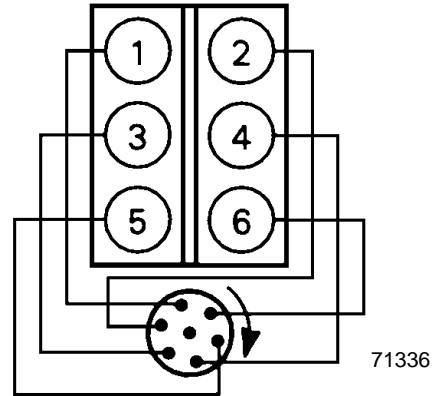
L.H. ROTATION  
FRONT



Firing Order  
1-3-4-2

4 Cylinder - 181 CID / 3.0L

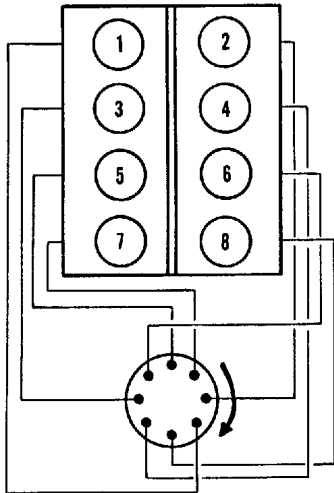
LH ROTATION  
FRONT



Firing Order  
1-6-5-4-3-2

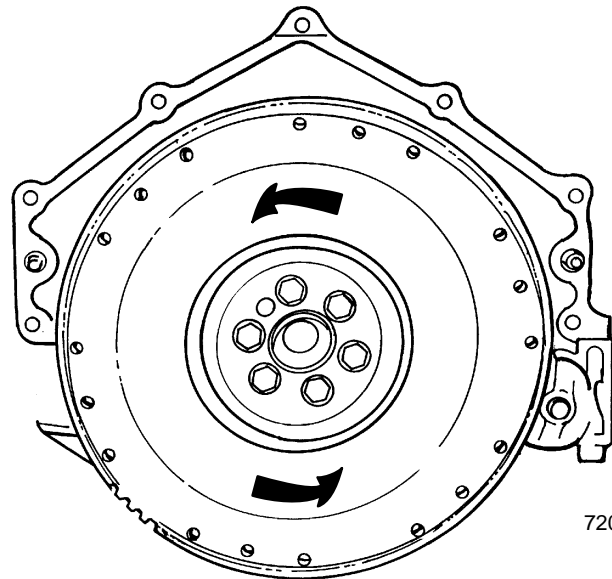
V-6 Cylinder - 262 CID / 4.3L

LH ROTATION  
FRONT



Firing Order  
1-8-4-3-6-5-7-2

V-8 Cylinder - 305 CID/5.0L and 350 CID/5.7L



Left-Hand Rotation - All Engines  
(Flywheel View)

**NOTE:** Arrows indicate direction of rotation